

ERO375 MAINTENANCE

To keep the RO water system operating and making high quality water, the RO, prefilter, and postfilter cartridges need replacement at regular intervals. Depending on water supply quality, the prefilter and postfilter cartridges may last for 6 months to 1 year. RO cartridge life normally ranges between 36 and 60 months.

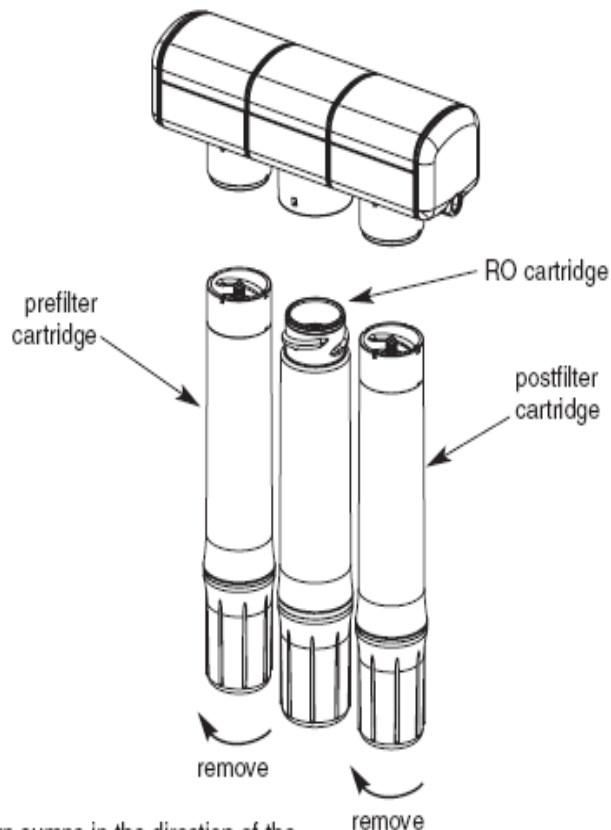
This reverse osmosis system contains a replaceable treatment component critical for effective reduction of total dissolved solids (TDS). The water should be tested periodically to verify the system is performing satisfactorily.

Prefilter Cartridge: You must replace the prefilter cartridge often *to protect the RO membrane from being destroyed by chlorine*, and/or from plugging with sediments in your water supply. If the water supply contains both chlorine and sediments, replace the prefilter cartridge at least every 6 - 12 months. Replace more often than 6 months if it begins to plug with sediments.

If the water has sediments only, with no chlorine, you may notice a slower making of product water as the prefilter collects the sediments. When this occurs, replacement is needed to restore full flow.

Postfilter Cartridge: The carbon postfilter removes any remaining taste and/or odors from the product water before it goes to the RO faucet. Replace the cartridge when the taste and/or odor returns in the RO water, typically every 6 to 12 months.

RO Membrane Cartridge: The life of the RO cartridge depends mostly on properly treated supply water and regular maintenance of the prefilter cartridge. The membrane has a self-cleaning feature that, under typical conditions, extends life to between 36 and 60 months. Replacement of the RO cartridge is made when testing indicates TDS rejection is not within specifications. Product water may begin to taste different or bad, indicating solids and organics are passing through the RO membrane. To be sure it is the RO cartridge, always replace the prefilter and postfilter cartridges first.



Turn sumps in the direction of the arrow to remove. Turn opposite way to install and tighten.

REPLACING PREFILTER AND POSTFILTER CARTRIDGES

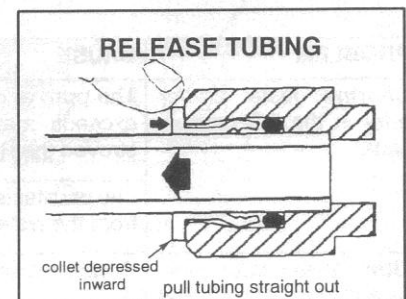
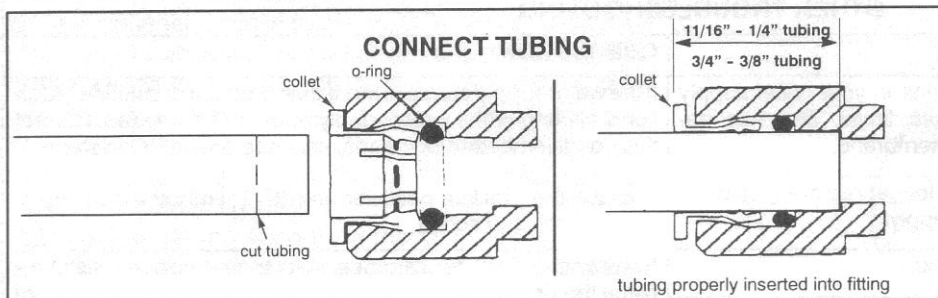
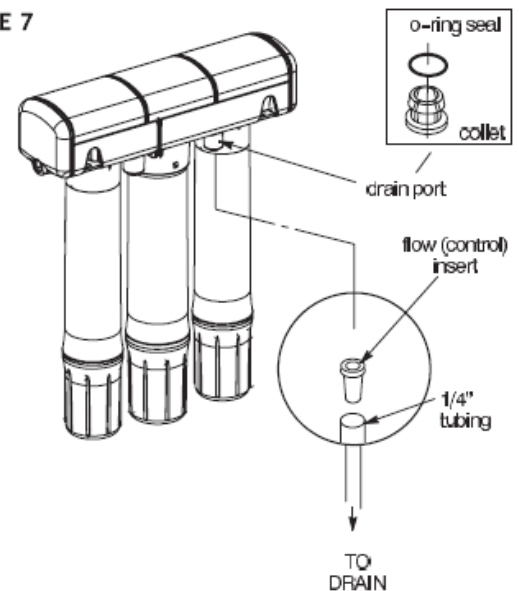
When replacing cartridges, you can keep the RO assembly wall mounted, or simply lift from the mounting screws and lay in a leak-proof container on the cabinet floor.

1. **CAUTION:** Before removing cartridges, be sure to close the *water supply valve* to the RO, and the *shutoff valve* on the storage tank. Then, open the RO faucet until **pressure is relieved** and water flow stops.
2. Your system uses the same filter cartridge for pre and post filters. **They are interchangeable.**
3. Turn to the left and pull downward either or both cartridges from the RO head assembly.
4. Remove new cartridge(s) from the sanitary bag. Be sure O-ring seals on top of cartridge are lubricated. Use silicone grease approved for use on potable water supplies.
5. Insert the top end of either or both cartridges into the applicable head, push upward and rotate to the right to lock in place.
6. Press the reset on the PWA Board if you have the electronic monitor – see Electronic Option below
7. Turn on the water supply and check for leaks.

REPLACING RO MEMBRANE CARTRIDGE

1. **CAUTION:** Before removing the cartridge, be sure to close the *water supply valve* to the RO, and the *shutoff valve* on the storage tank. Then, open the RO faucet until **pressure is relieved** and water flow stops.
2. Be sure there is some slack in the red flow control drain tubing, shown in the figure, above. Then, turn (1/4 turn to the left) the cartridge and pull downward.
3. Depress the elbow fitting collet with a finger while carefully pulling the red tubing out.
4. Remove the new RO cartridge from the sanitary bag. Rinse the cartridge in fresh tap water and dry. Depress the elbow fitting collet and remove the plug.
5. Remove the protective cap (not shown) from the top end of the cartridge. Be sure the o-ring seals are lubricated. Use silicone grease approved for use on potable water supplies.
6. The flow control is vital for proper operation of the RO membrane cartridge. The control keeps water flow through the membrane at the needed rate to obtain the best quality product water. Periodically check the flow control to be sure the small hole through it is clean and unrestricted.
7. Insert the end of the tubing into the elbow fitting on the new RO cartridge. Gently pull on the tubing to be sure it is secure.
8. Insert the top end of the cartridges into the head, push upward and rotate to the right to lock in place. **Be sure to locate the RO cartridge in the center, as shown.**
9. Turn on the water supply and check for leaks at the top, and at the red tubing connection.
10. Purge the cartridge. The RO Cartridge contains a food grade preservative that you should clean from it before using water from the system. The preservative will give the product water an unpleasant taste and odor. After the storage tank has filled (takes about 4 hours). Open the RO faucet until the tank is empty and flow stops. Close the RO faucet and allow the tank to fill again for 4 hours. Then, open the RO faucet and empty again. After purging 4 times, the system is ready to make product water for use.

FIGURE 7



SANITIZING THE RO SYSTEM

Sanitizing is recommended upon installation of the RO system, and after servicing the cartridges. **It is important for the service person to have clean hands to keep the system clean.** You will need an eyedropper and common household bleach (5.25%). Refer to Fig. 8 on page 10.

1. **Be sure the water supply to the RO is turned off. Open the storage tank shutoff valve and the RO faucet until the water stops running to relieve pressure.**
2. Turn the prefilter cartridge to the left and pull downward to remove.
3. Use the eyedropper to add 1 teaspoonful (about 5 ml.) of the bleach into the center hole at the top of the new prefilter cartridge.
4. Replace the prefilter, turning to the right to lock in place.
5. Repeat steps 2,3 and 4 with the new post filter.
6. Turn on the water supply to the RO and be sure the tank shutoff valve is open. Close the RO faucet.
7. Allow water to circulate through the RO system for 6 hours.
8. After the 6 hours, open the RO faucet and lock the lever upward, against the spout. Run water until the storage tank is completely empty and the bleach odor is gone.
9. Close the RO faucet after water flow stops.

ELECTRONIC OPTION

The RO system will monitor the total product flow of the unit and also length of time the filters have been installed. The faucet base has an indicator light that flashes to inform you of the status of the RO membrane and filters.

Green - RO membrane and filters are good.

Amber - Warning, filters need replacing. Filters need replacing, when water has been drawn, after 6 months time (or 650 gallons have been used).

Red - RO membrane needs to be replaced. When the coin battery is first applied at initial start up, the LED indicator light will flash in a red, amber, green sequence. All timers and counters are reset to zero. In order to reset the time and gallon count feature, push the button on the PWA and hold until the LED flashes and release.

The battery needs to be replaced at the time of filter replacement. Use only alkaline batteries. Improper placement of battery could damage electronics.

Use care when inserting the battery to align it correctly on PWA with the proper polarity.

